



PAULSTRAFLOAT

Natural frequency : (1)
- axial 8 Hz

DESCRIPTION

Paulstrafloat® mount of rectangular design is composed of :

- diamond base (2 holes) with clearance hole;
- cup to protect the rubber and distribute the load;
- progressive stiffness and rebound for protection against shocks.

OPERATION

The design of the Paulstrafloat® mount gives the following basic characteristics :

- different stiffness in 3 axis : vertical - longitudinal (length) - width;
- the rubber works in shear/compression;
- set position control with the slots;
- higher axial stiffness;
- this mount is suitable for mobile equipment.

Advantages

- The machine may be placed with its mounts directly on the ground.
- Quick installation.
- Rubber protected against harmful liquids.
- Extensive range : 3 hardnesses of rubber for 3 existing types, allowing the mount to be optimized as a function of the load and forcing frequency.
- Anti-rebound and fail-safe.

Recommendations

- Paulstrafloat® mounts must be installed on the longitudinal axis to handle thrust force.

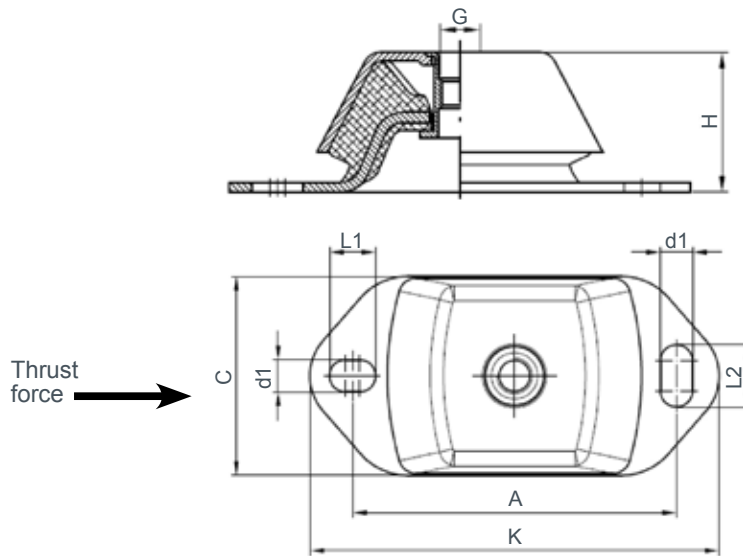
APPLICATIONS

Paulstrafloat® mount is perfectly suitable for shipboard equipment, motor suspension, transports and boarding equipment. Used for static applications : generator, pump, fan ...

1) the indicated natural frequency, are valid for the maxi loads of the ranges of use quoted in the paragraph : TECHNICAL CHARACTERISTICS.



DIMENSIONS



OPERATING CHARACTERISTICS

References	Hardness	C	A	K	H	d1	L1	L2	G
544397	45/55/65	60	100	120	38	11	14	14	M12
544396	45/55/65	75	140	183	50	13	20	30	M16
544395	45/55/65	112	182	230	70	18	26	39	M20

References	Hardness	Max. load (daN)	Max. deflection under load (mm)	Max. load with thrust force (daN)
544397	45	60	5.5	40
	55	70		60
	65	110		90
	75	380		290
544396	45	160		100
	55	220		145
	65	310		220
	75	620		410
544395	45	350		250
	55	550		390
	65	810		565
	75	1380		975

